

## IP65 Waterproof Electric IR Heaters

Choose Pureheat's Girosole 3600w IP65 waterproof series for indoor/outdoor infra-red heating solutions in commercial, institutional and residential applications.

Girosole is available in both pole mount and pendant mount options. The IP65 rated heaters are lightweight, have independent switching capability and provide a 3-phase 400v wiring option.

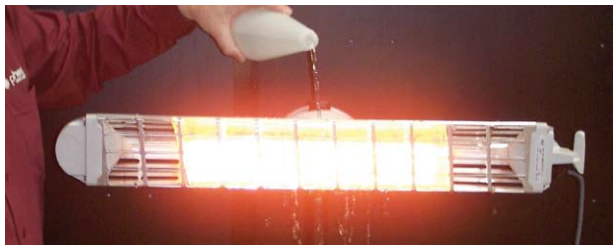
The Pureheat Girosole series operates on the principle of electric quartz infra-red heating. Quartz I-R heating is flexible, cost-effective and heats only the people or objects within the beam. Just like the sun! Importantly, you get instant warmth plus the added safety of an IP65 rating.

- Safe**
- Economical**
- Flexible Mounting**

**Girosole #769 Pole Mount**



**Girosole #769S Pendant Mount**



### Features

- Anti-Corrosive Aluminium Housing
- UV Resistant Plastic Body
- Lightweight
- Independent Switching
- 3-phase wiring capability

### Applications

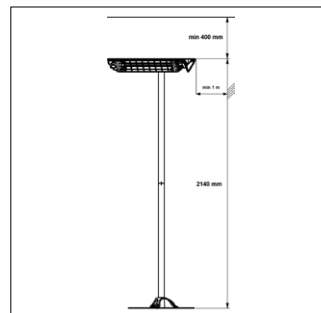
- Hospitality Venues – Pubs, Clubs
- Office Smoking Areas
- Retail/Shopping Malls
- Ski Resorts
- Sports/Multi-Purpose Venues
- Aquatic Centres



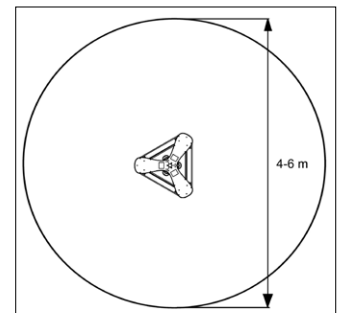
Specifications	Girosole #769S	Girosole #769 Pole
Power Supply	230/400V 50-60 Hz	230/400V 50-60Hz
Wattage	3 x 1200 W	3 x 1200 W
Diameter (mm)**	940	940
Height (m.)	Pendant Mount	2.14 metres
Weight (kg.)	6.15	18.0
Lamp Life (Avg. Rated)	5000 hrs	5000 hrs
Protection Class	IP65	IP65
Insulation Class	1	1
Connection	Top	Bottom
Heating Coverage	12-18 m <sup>2</sup>	12-18 m <sup>2</sup>
<b>Operating Cost (max.)</b>	<b>\$0.50/Hour*</b>	<b>\$0.50/Hour*</b>

\*Operating Cost based on energy tariff of \$0.14/Kwh.  
 \*\*Allow 470mm radius from centre mounting hole.

### Installation Requirements



### Girosole Distribution



### Distributed by: